

PLAN VIEW - ROOF

Steel channel iron brackets for wooden posts or U bolts for steel T-posts

Gutter drains to center and outlets to tank lid opening & ramp. Cut 6-inch opening on the gutter or drill 3-inch dia. hole and install short 3-inch downspout.

Face collecting apron into prevailing wind.

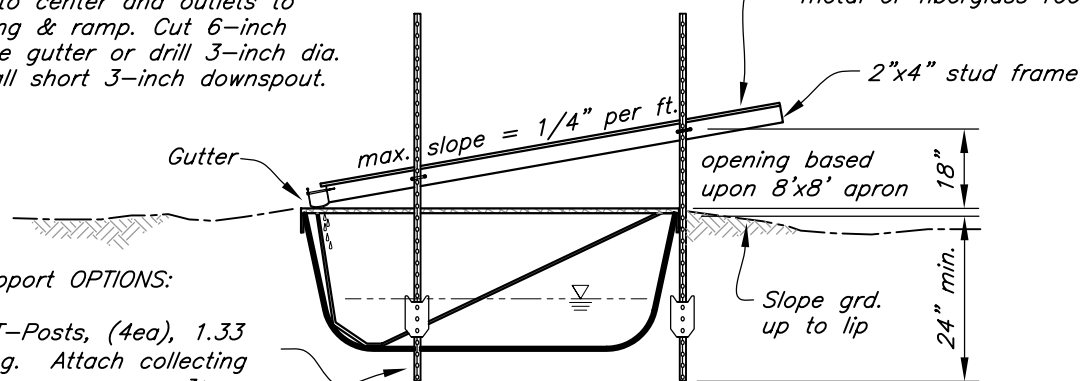
Collecting Apron/Roof - Use corrugated metal or fiberglass roofing material

Apron-roof support OPTIONS:

1.) Use Steel T-Posts, (4ea), 1.33 lb/ft., 6 ft long. Attach collecting apron frame to T-posts with 3/8-inch U-bolts, 4-in. long

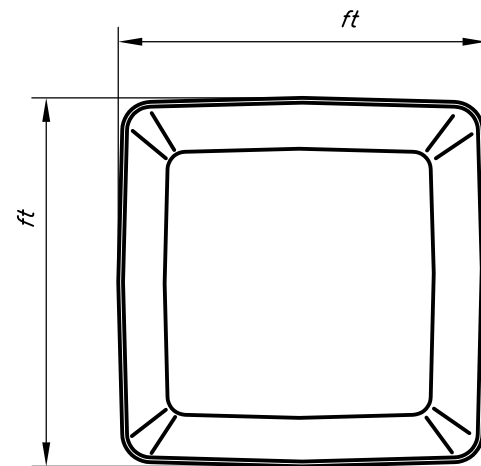
2.) Use 4-inch dia. pressure treated round wooden posts, (4ea), 6 ft. long. Attach wooded posts to apron frame with 5-inch steel screw.

Install posts a minimum of 2 feet below ground.

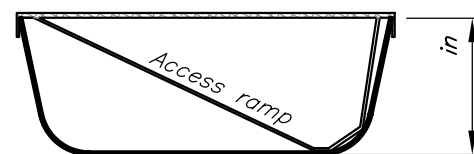


SECTION - ROOF

APRON COLLECTION

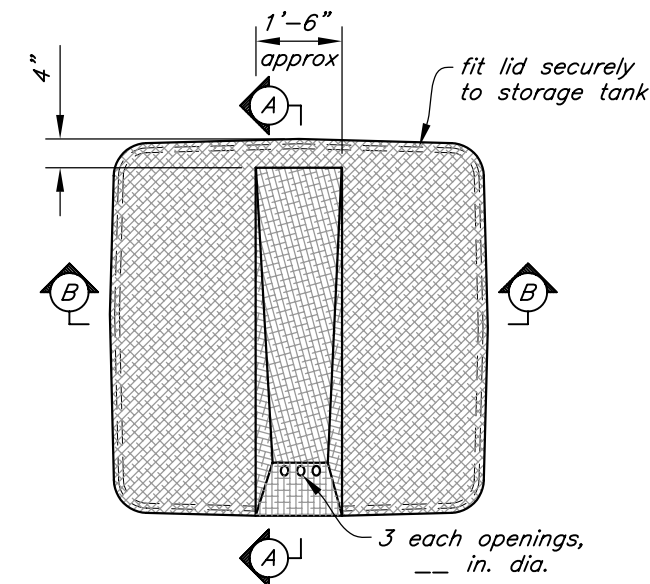


PLAN VIEW - STORAGE TANK

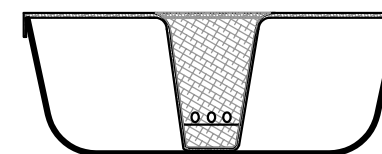


SECTION A-A

STORAGE TANK



PLAN VIEW - LID & RAMP



SECTION B-B

LID & RAMP

INSTALLATION INSTRUCTIONS:

1. Dig out the area for the tank to the appropriate depth.
2. Place the tank/cistern into the excavated area. Make sure the tank sits level in the hole and is evenly supported. Use a carpenter's level to check for level. Install the tank so the lip is above the surface of the ground by 2 inches to allow for a good fit of the ramp top.
3. Place the ramp/lid on to the tank before compacting soil around the tank. Place compacted soil around lid edge sloping away from the tank lid to provide a seal around the cistern on all sides.
4. Place the collecting apron roof on top of the lid. Make sure the corrugations are running perpendicular to the gutter location.
5. Pre-drill the gutter to accommodate the galvanized spacers and nails. Cut a 6-inch notch in the center of the gutter and bend the back of the notched section to form a tongue to provide drainage into the tank, or drill hole in the center of the gutter and install downspout.
6. Position the collection apron so the gutter tongue is sloping into the fiberglass lid's ramp opening. The collection apron with the gutter tongue in place should be resting on the fiberglass lid.
7. Drive steel T-post or install wooden posts into ground approximately 18 inches from each end of collecting apron. Temporarily support collection apron to desired angle and position. Bolt, lag or screw collection apron to posts.
9. Rake out any excess soil and remove all trash from site.

This drawing requires supporting technical documentation prior to use and must be adapted to the specific site.

DRAWING NOT TO SCALE

Important note for designer: Fill in all required information and dimensions, following Oregon NRCS Practice 614, Wildlife Guzzler Job Sheet.	ESTIMATED MATERIALS LIST	
	1.) tank, _____ gallon capacity	_____
2.) 2"x4"x_____ ft (roof frame)	_____	Job
3.) _____ fiberglass or _____ corrugated metal roof	_____	Job
4.) _____ steel t-posts, or wooded posts, 6ft length	_____	Each
5.) _____ plastic or _____ metal gutter w/ end caps	_____	Job
6.) misc fasteners / connectors	_____	Job

NRCS Practice Code 614, Job Class _____

Date _____
 Designed _____
 Drawn K.C. / G. Card / KLY 1/2008
 Checked _____
 Approved _____
 Title _____

Landowner _____
 Watering Facility - Wildlife Guzzler
 County _____ Location _____



File Name
 or_wildlife_guzzler_08.dwg
 Drawing No.

Sheet _____ of _____